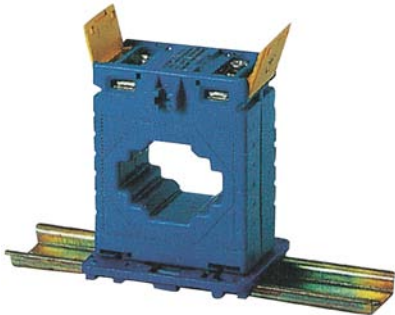
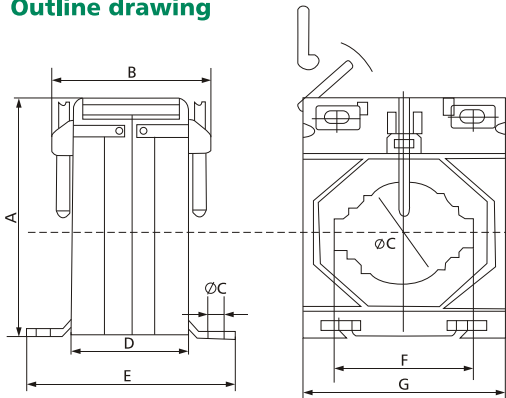


## MES Current Transformers



Outline drawing



Type	Rated Current (A)	Rated Power (AV)	
		Class: 0.5	Class: 1.0
MES-62/20B	5/5	2.5	5
	10/5	2.5	5
	15/5	2.5	5
	20/5	2.5	5
	25/5	2.5	5
	30/5	2.5	5
	40/5	2.5	5
	50/5	2.5	5
	60/5	2.5	5
	75/5	2.5	5
	100/5	2.5	5
	150/5	2.5	5
MES-62/20	30/5	-	1
	40/5	-	1
	50/5	1	2
	60/5	1	2
	75/5	1.5	3
	80/5	1.5	3
	100/5	2	3.75
	150/5	2.5	5
	200/5	3	5
MES-62/30	30/5	-	1
	40/5	-	1
	50/5	-	1
	60/5	-	1.5
	75/5	-	1.5
	100/5	1.5	2.5
	200/5	2	3
MES-62/40	60/5	-	1
	75/5	-	1
	100/5	1	2
	150/5	1.5	2.5
	200/5	2.5	5
	250/5	3	5
	300/5	5	7.5
MES-80/30	30/5	-	1
	50/5	-	1
	60/5	-	2
	75/5	-	2.5
	100/5	1.5	5
	150/5	2.5	5
	200/5	5	7.5
MES-80/40	100/5	1.5	2.5
	150/5	2.5	5
	200/5	5	5
	250/5	5	5
	300/5	10	15
	400/5	10	15
	500/5	10	15
MES-100/60	600/5	15	20
	800/5	15	20
	1000/5	15	20
	1200/5	15	20
MES-145/100	1000/5	15	30
	1200/5	15	30
	1500/5	15	30
	1600/5	15	30
	2000/5	15	30
	2500/5	15	30
	3000/5	15	30